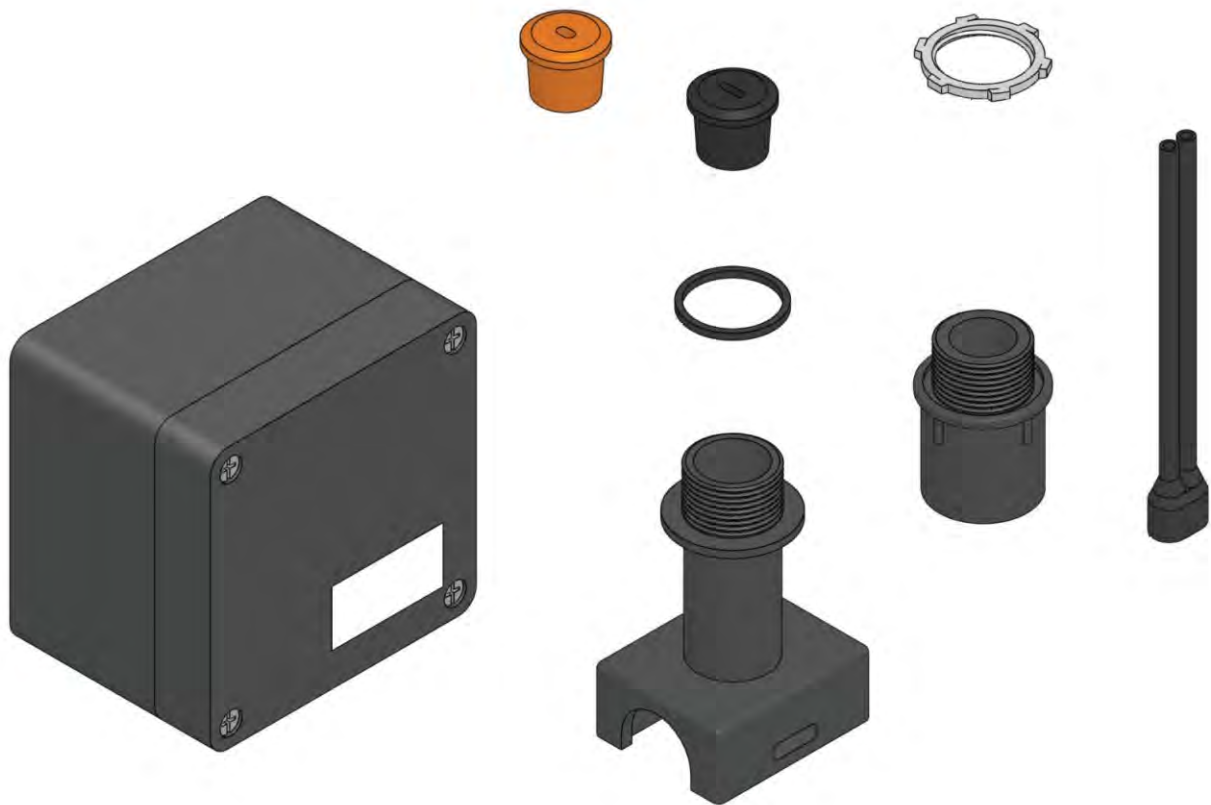


UPC Power Connection Kit

Installation Instructions

For Self-Regulating & Constant Wattage Heating Cables

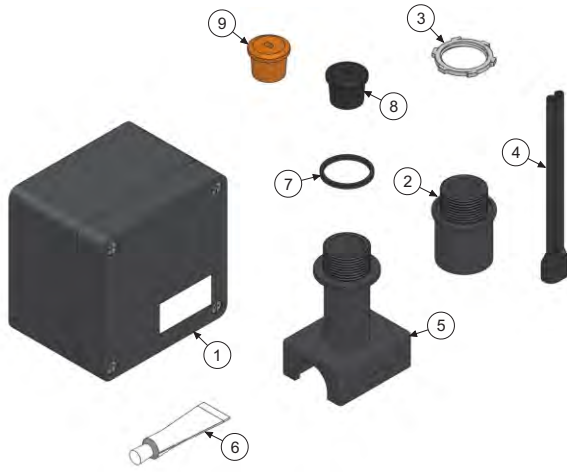


TRASOR

PJ495-3
161-562581-029
January 2012

UPC Power Connection Kit

Self-Regulating & Constant Wattage Heating Cable Installation Instructions



Item	Qty	Description
1	1	Junction Box
2	1	Compression Fitting
3	1	Locknut
4	1	Silicone Termination Boot
5	1	Pipe Standoff
6	1	RTV
7	1	O-Ring
8	1	Self-Regulating Cable Grommet
9	1	Constant Wattage Cable Grommet

General

The UPC power connection kit is used for electrical termination of one self-regulating or constant wattage cables. Each kit contains the terminations needed to make all electrical connections.

Certifications & Approvals

IP66 NEMA/Type 4x -60°C < Ta < +55°C

Ordinary & Hazardous Locations

Class I, Division 2 Groups A,B,C, & D, Zone 2 IIC

Class II, Division 2, Groups F & G, Class III



ITS08ATEX36059X CE0389

IIG Exe II T6 Ta -60°C ti 170°C

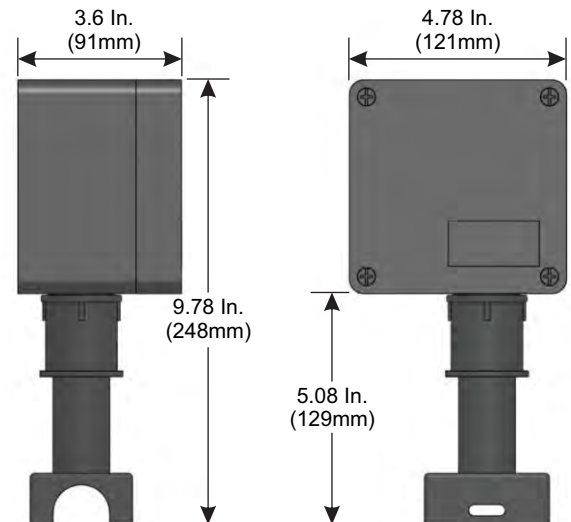
IECEX ITS 07.0018X

Exe II T6 GbTa -60°C to 170°C

Tools Required for Kit Installation



Actual Kit Dimensions



⚠WARNING

HAZARD OF ELECTRIC SHOCK. Disconnect all power before opening. All installations must be effectively grounded in accordance with the National Electrical Code to eliminate shock hazard. To avoid electrostatic discharge. Wipe with damp cloth.

⚠WARNING

Turn off power before removing junction box cover at all times.

⚠WARNING

Users should install adequate controls and safety devices with their electric heating equipment. Where the consequences of failure may be severe, back-up controls are essential. Although the safety of the installation is responsibility of the user, Trasor will be glad to assist in making equipment recommendations.

Order Separately

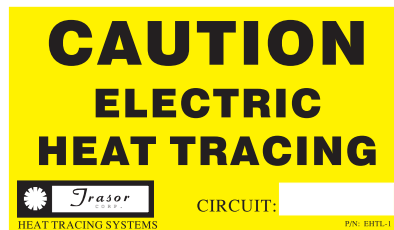
Pipe Straps

- PS-1 - 1/2" to 3/4" pipes
- PS-3 - 1" to 3" pipes
- PS-6 - 3" to 6" pipes
- PS-18 - 6" to 18" pipes



Caution Labels

- EHTL-1 - Single Labels
- EHTL-5 - 5-Pack of EHTL-1



Fiberglass Tape

- FGT-66 - For non-SS pipes & install temp > 40°F
- FGT-66S - For SS pipes or install temp < 40°F

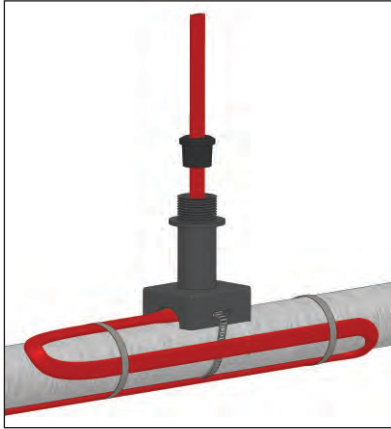


Small Pipe Adapter

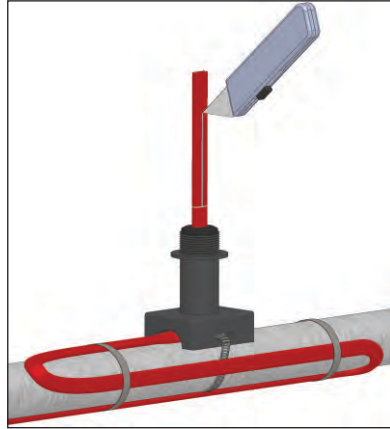
- SPA - For mounting to pipes 1-1/2" and smaller



Cable installation instructions: SRL, SRF, SRME, SRP CWM cable special instructions denoted by *

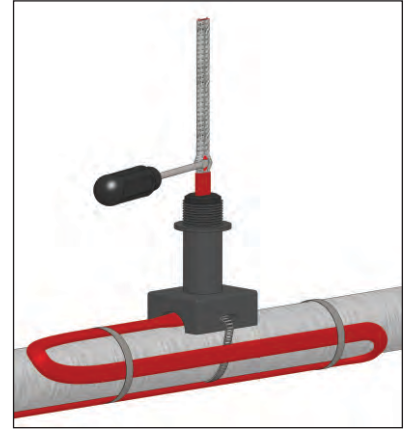


1. Insert heating cable through pipe standoff and grommet as shown. 8 inches of cable should extend past the grommet. Strap pipe standoff to pipe with pipe strap (Trasor type PS not included) and attach extra cable to pipe as appropriate. For pipes smaller than 1-1/2" diameter a small pipe adapter (Trasor model SPA not included) is required.

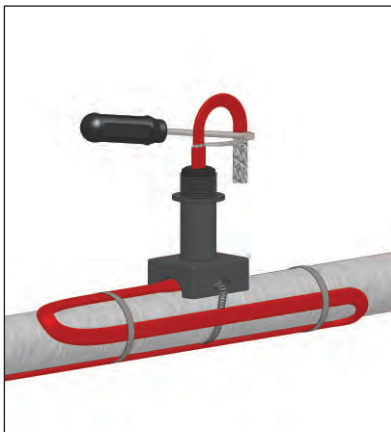


2. Score the outer insulation 7 inches from the end of the cable. Lightly cut the outer jacket up the center to the end of heating cable and remove the outer jacket from the cable.
WARNING: DO NOT CUT METAL BRAID.

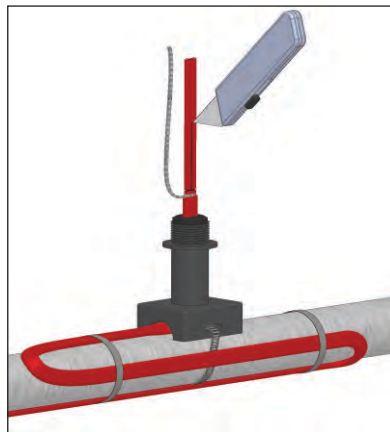
Note: If using braid only cable (-C), skip this step.



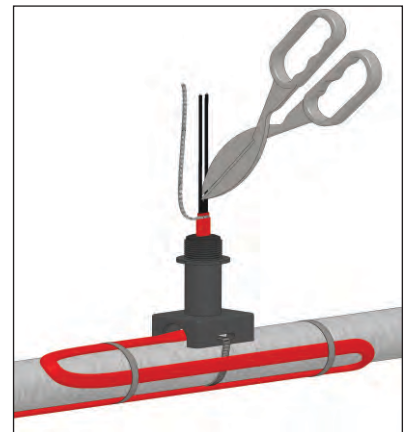
3. Move braid back toward the overjacket, creating a bulge. At the bulge, separate the braid to make an opening.



4. While bending the heating cable, work the cable through the braid opening. Pull the braid tight.

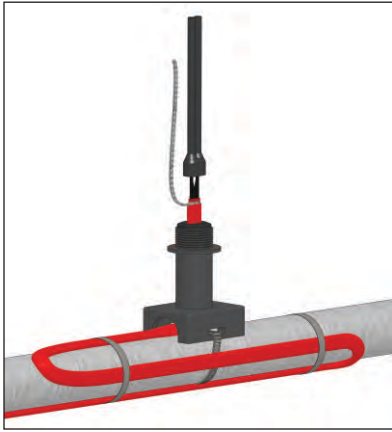


5. Score the inner insulation 6 inches from the end. Lightly cut the inner jacket up the center to end of heating cable and remove the inner jacket from the cable.

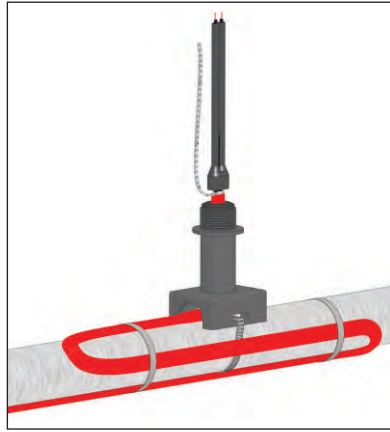


6. Use tin snips or similar tool to cut excess material from between the buss wires.

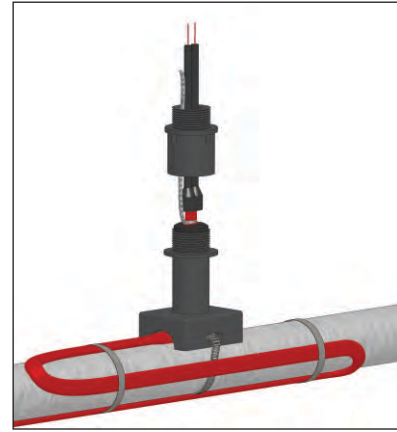
*Separate CWM leads



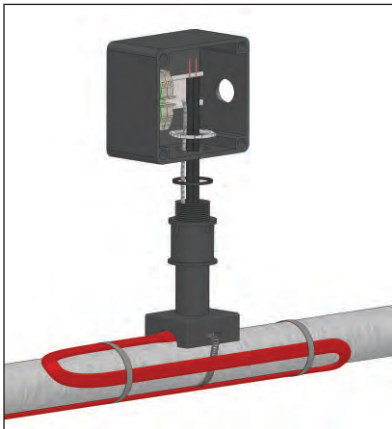
7. Liberally apply RTV over the exposed matrix and leads. Push the rubber boot over the heating cable.



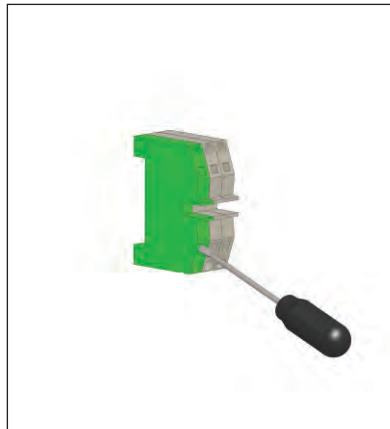
8. Strip each bus wire so that no black matrix material shows above the end of the rubber boot. Trim lead ends as needed.



9. Slide compression fitting over cable. Grommet should be placed inside pipe standoff. Termination boot should be spaced 1/2" from sealing grommet.

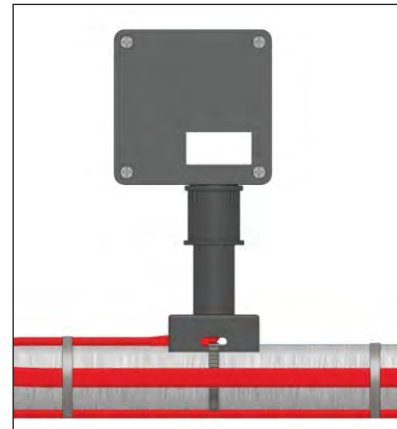


10. Assemble junction box to compression fitting as shown. Tighten locknut until the junction box bottoms out against the lip of the compression fitting.



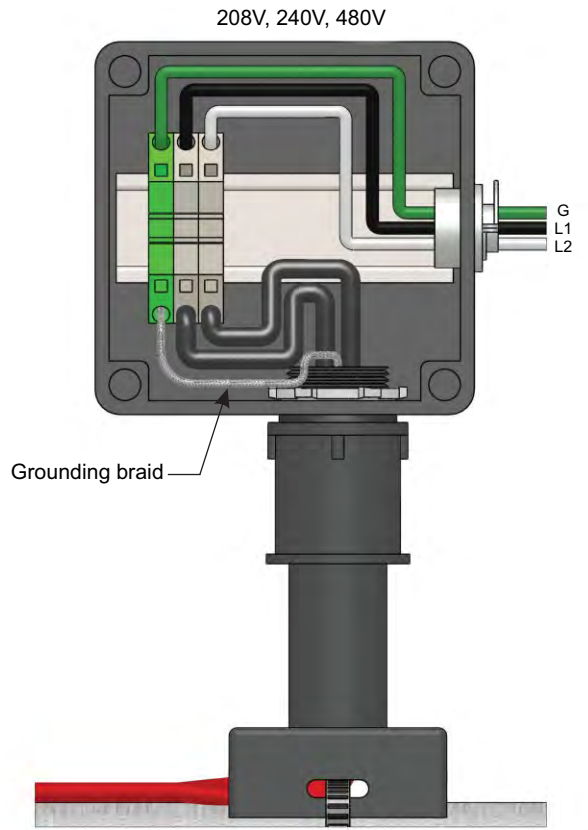
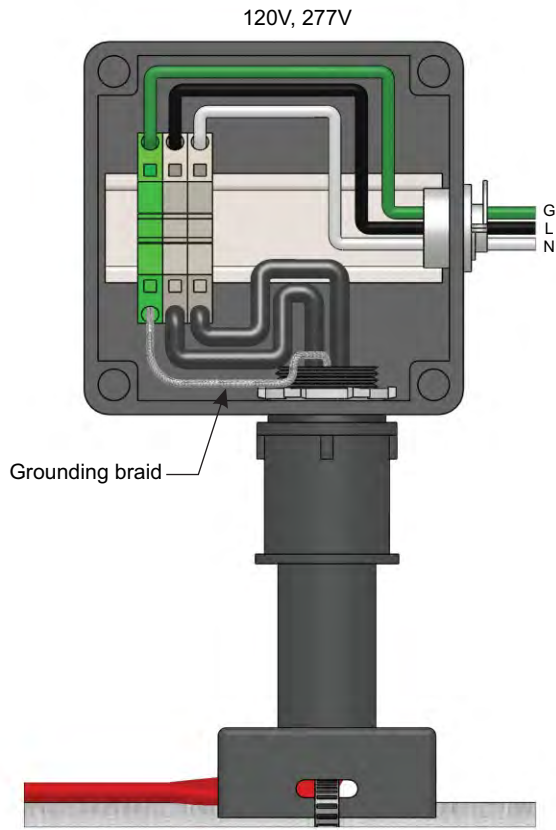
11. Attach 3/4" conduit hub. Use a flathead screwdriver to release the terminal spring clamps and insert cable leads and grounding braid as per wiring diagram on next page. Supply power electrical connections to terminals as shown on wiring diagram on next page. For ATEX and IECEx installations, conduit hub must be an ATEX or IECEx certified component.

NOTE: Conduit hub should be approved for:
 Class I, Div. 2
 Class II Div. 1 & 2
 Class III Div 1 & 2
 NEMA4X
 And rated by a nationally recognized laboratory.



12. Once Locknut is secure and wires are secured in terminal, place cover on box and secure the lid to the box by tightly fastening screws.

Wiring Diagrams



TRASOR

Electrical Heat Trace Systems

800-324-1551

www.trasor.com