

T1441/T1441X Cast Head RTD Sensor

The T1441 series is a 3-wire 100 ohm platinum RTD temperature sensor which connects to a temperature controller / thermostat to control a heat trace circuit. Includes a mounting tab for easy installation on pipes and vessels.

Head

Cast aluminum
T1441
NEMA 4
T1441X
NEMA 4 & 7
Explosion proof
Class I Div. 1 Groups C & D

Sheath

1/4" OD stainless steel

Operating Range

0 to 700 °F

Entry

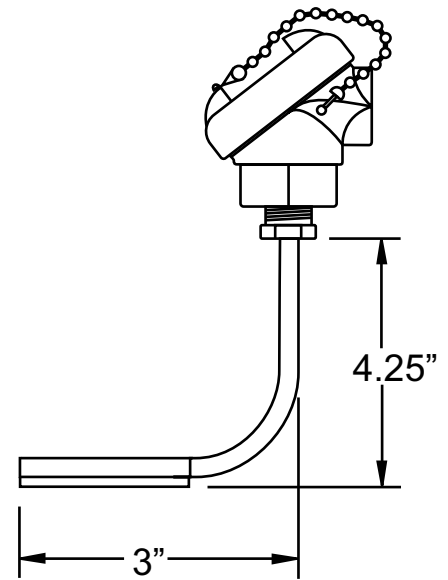
T1441
3/4" NPT
T1441X
1/2" NPT

Element Type

3-wire 100 ohm platinum
RTD, DIN 0.00385

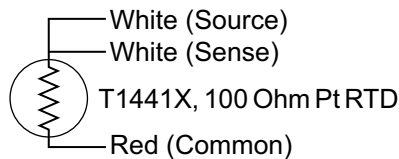
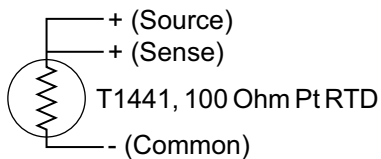
Tolerance

Class B, +/- 0.12%



T1441

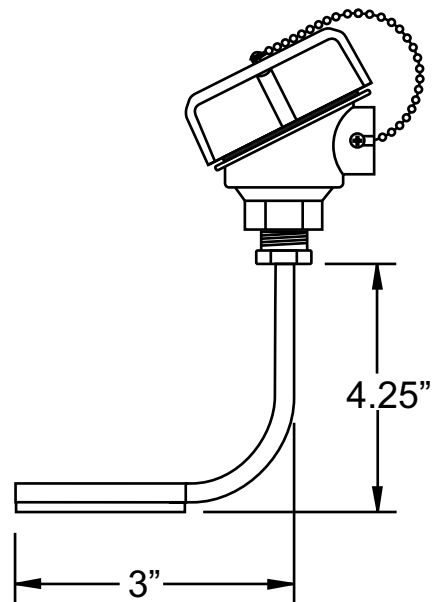
Connection Diagrams



RTD Extension Wire

Use shielded 3-conductor sensor cable for RTD sensors. Maximum extension length is dictated by controller's maximum cable resistance. See controller manual for details or contact Trasor. Minimum recommended size is 22AWG. Maximum recommended size is 18AWG.

Ground the shield on one side only. Recommend grounding at the controller and not at the RTD.



T1441X

Compatible controllers

910E1FWLSSR2
C910-485
DTC-M50-480V-GF
JBS-100-ECP-A
JBS-100-ECW-A
DTC-HAZ
ITC1 / ITC2
MS2101 / MS2102

RTD Resistance vs Temperature Chart

100 Ohm Platinum, 0.00385 Ohms/Ohm/°C, DIN 43760

Ohms	°F	°C	Ohms	°F	°C	Ohms	°F	°C
59.87	-150	-101.1	161.05	320	160.0	254.29	790	421.1
62.10	-140	-95.6	163.11	330	165.6	256.19	800	426.7
64.33	-130	-90.0	165.18	340	171.1	258.08	810	432.2
66.56	-120	-84.4	167.23	350	176.7	259.97	820	437.8
68.79	-110	-78.9	169.29	360	182.2	261.86	830	443.3
71.01	-100	-73.3	171.34	370	187.8	263.74	840	448.9
73.22	-90	-67.8	173.39	380	193.3	265.62	850	454.4
75.44	-80	-62.2	175.44	390	198.9	267.50	860	460.0
77.65	-70	-56.7	177.48	400	204.4	269.37	870	465.6
79.86	-60	-51.1	179.52	410	210.0	271.24	880	471.1
82.06	-50	-45.6	181.55	420	215.6	273.10	890	476.7
84.26	-40	-40.0	183.58	430	221.1	274.96	900	482.2
86.45	-30	-34.4	185.61	440	226.7	276.82	910	487.8
88.65	-20	-28.9	187.63	450	232.2	278.68	920	493.3
90.83	-10	-23.3	189.65	460	237.8	280.53	930	498.9
93.02	0	-17.8	191.67	470	243.3	282.38	940	504.4
95.20	10	-12.2	193.68	480	248.9	284.22	950	510.0
97.38	20	-6.7	195.69	490	254.4	286.06	960	515.6
99.55	30	-1.1	197.69	500	260.0	287.90	970	521.1
101.72	40	4.4	199.70	510	265.6	289.73	980	526.7
103.89	50	10.0	201.69	520	271.1	291.56	990	532.2
106.06	60	15.6	203.69	530	276.7	293.38	1000	537.8
108.22	70	21.1	205.68	540	282.2	295.21	1010	543.3
110.37	80	26.7	207.67	550	287.8	297.02	1020	548.9
112.52	90	32.2	209.65	560	293.3	298.84	1030	554.4
114.67	100	37.8	211.63	570	298.9	300.65	1040	560.0
116.82	110	43.3	213.61	580	304.4	302.46	1050	565.6
118.96	120	48.9	215.58	590	310.0	304.26	1060	571.1
121.10	130	54.4	217.55	600	315.6	306.06	1070	576.7
123.23	140	60.0	219.52	610	321.1	307.86	1080	582.2
125.37	150	65.6	221.48	620	326.7	309.65	1090	587.8
127.49	160	71.1	223.44	630	332.2	311.44	1100	593.3
129.62	170	76.7	225.39	640	337.8	313.23	1110	598.9
131.74	180	82.2	227.34	650	343.3	315.01	1120	604.4
133.85	190	87.8	229.29	660	348.9	316.79	1130	610.0
135.97	200	93.3	231.24	670	354.4	318.57	1140	615.6
138.08	210	98.9	233.18	680	360.0	320.34	1150	621.1
140.18	220	104.4	235.11	690	365.6	322.11	1160	626.7
142.29	230	110.0	237.05	700	371.1	323.87	1170	632.2
144.38	240	115.6	238.98	710	376.7	325.63	1180	637.8
146.48	250	121.1	240.90	720	382.2	327.39	1190	643.3
148.57	260	126.7	242.83	730	387.8	329.14	1200	648.9
150.66	270	132.2	244.75	740	393.3	330.90	1210	654.4
152.74	280	137.8	246.66	750	398.9	332.64	1220	660.0
154.82	290	143.3	248.57	760	404.4	334.39	1230	665.6
156.90	300	148.9	250.48	770	410.0	336.12	1240	671.1
158.98	310	154.4	252.39	780	415.6	337.86	1250	676.7