

THL-L1S Ambient Sensing Thermostat

The THL-L1S is an ambient sensing thermostat for controlling heat trace systems in ordinary and corrosive environments. It is ideal for controlling individual heat trace circuits or switching a contactor coil, energizing entire systems.

Enclosure

Nema-4X
Die Cast Aluminum with
Polyurethane Coating

Switch

SPDT, 22 Amps @
120/240/480 VAC
1,000,000 cycles

Adjustable Range

15 to 140 °F (-9 to 60 °C)

Accuracy

+/- 3 °F (1.7 °C)

Bulb Temperature Limits

-40 to 160 °F (-40 to 71 °C)

Factory Preset

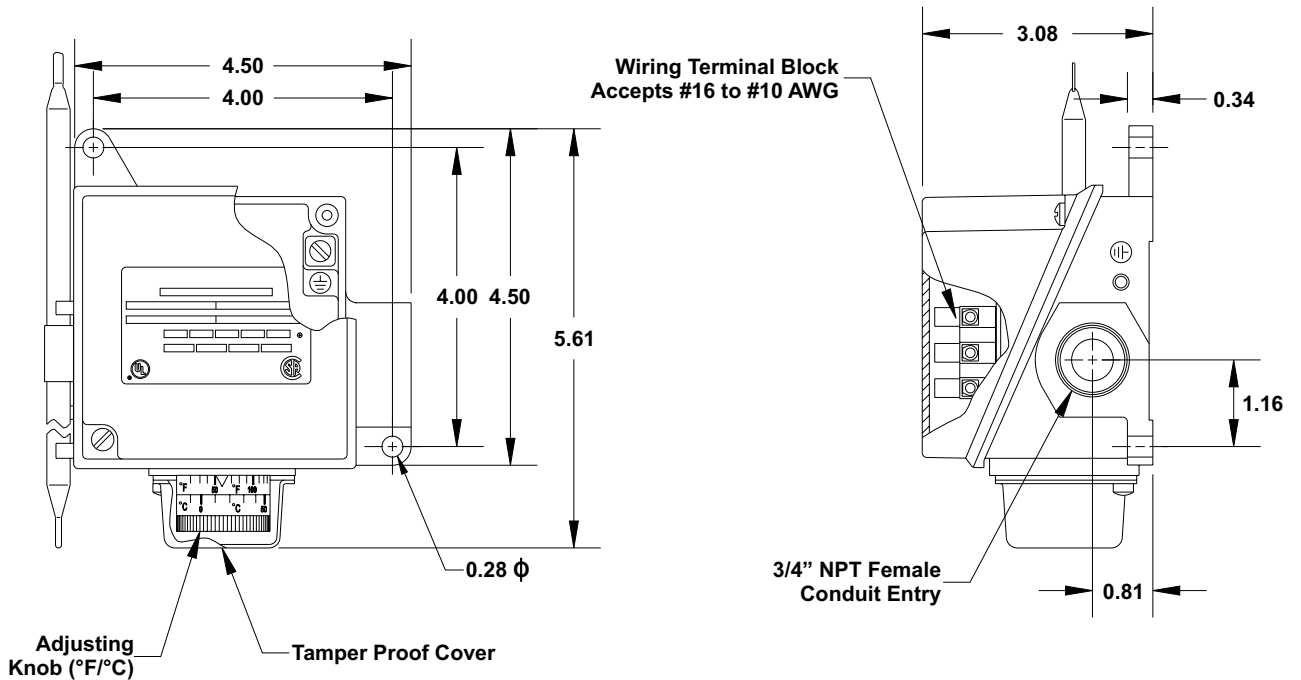
40 °F (4.4 °C)

Capillary

316 Stainless Steel

Weight

1.9 lb



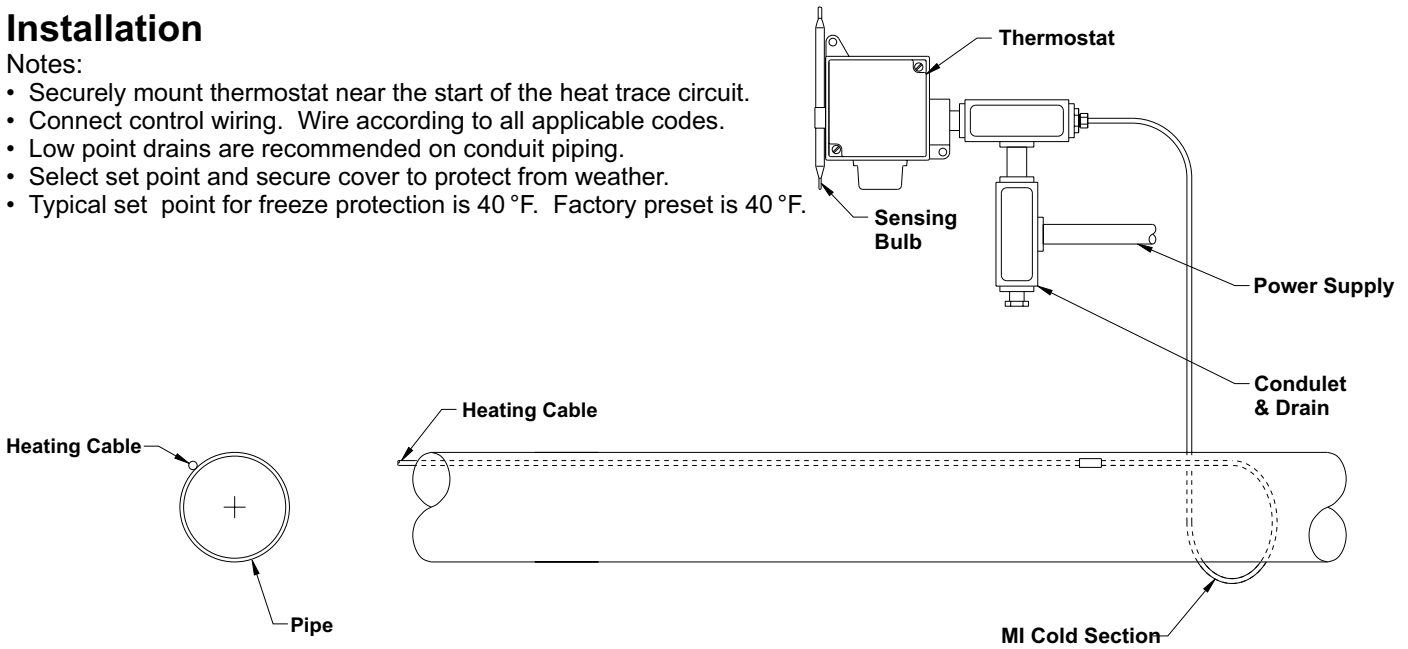
Note: All dimensions in inches



Installation

Notes:

- Securely mount thermostat near the start of the heat trace circuit.
- Connect control wiring. Wire according to all applicable codes.
- Low point drains are recommended on conduit piping.
- Select set point and secure cover to protect from weather.
- Typical set point for freeze protection is 40 °F. Factory preset is 40 °F.



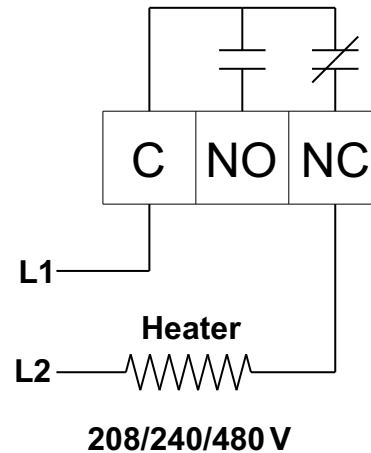
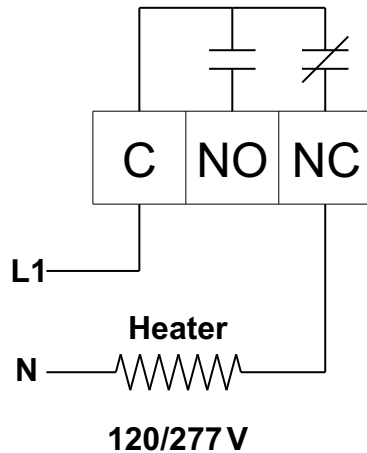
Annual Maintenance

Spray a coat of lubricant and rust preventative such as CRC Stor & Lube on electrical connections and dial stem. Trasor part number: ASK-10165.

Wiring Diagram

The normally closed contacts are closed when bulb temperature is below set point.

Contacts Rated:
22 Amps @ 120/240/480 VAC



All information is believed to be reliable. Users should independently evaluate the suitability of each product for their application. There are no warranties given except such expressed warranties offered in the sale of the product. In no instance or event shall Trasor Corporation be liable for any consequential, incidental or indirect damages arising from the use of this product. Trasor Corporation has no obligations to notify any person or organization of any changes to the specification or product.