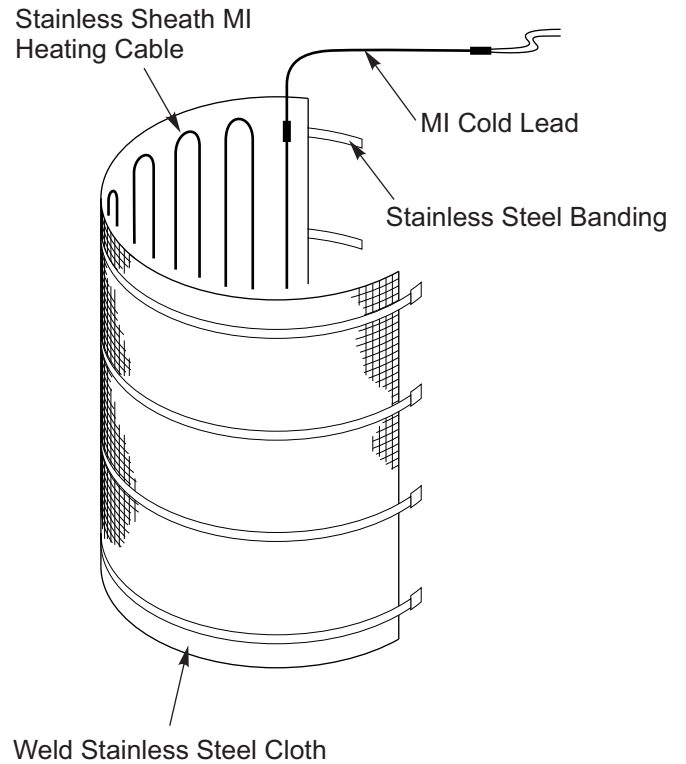


## MAT HEATERS

Stainless steel mesh with Mineral Insulated heating cable. Applies externally on tank walls and surfaces. Maintain process temperatures with uniform heating. Custom designs to accommodate nozzles or obstructions.

Voltages: 120, 208, 240, 277, 480 & 600V  
 Wattage: Up to 800 Watts per ft<sup>2</sup>  
 Sizes: Up to 4ft x 100ft

- Uniform Heating over large areas
- No Penetrations or Special Welding
- Stainless Steel Construction
- Process Temperature Maintenance
- Simple Installation & No Maintenance
- Mineral Insulated Heating Elements
- Customized for Nozzles or Obstructions
- Prevents Caking or Condensation



**Typical Mat Heater**



**Horizontal Tanks**



**Vertical Tanks**

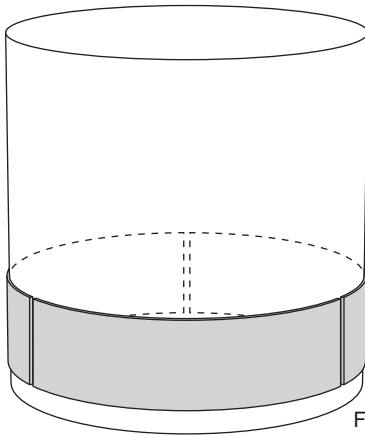


Figure 1

Single Zone, 3ø

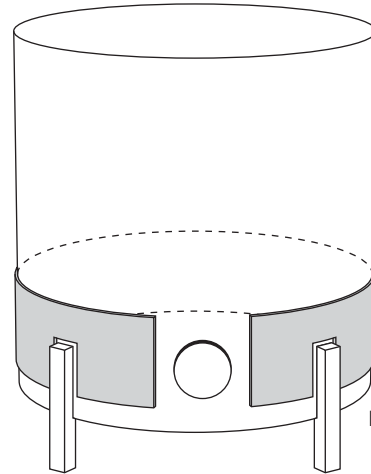


Figure 2

Cut-outs for Support Legs,  
Nozzles or Manways

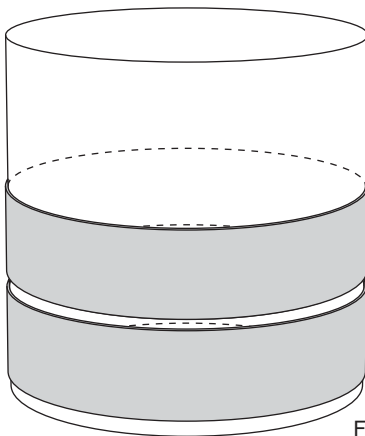


Figure 3

Multi Zone

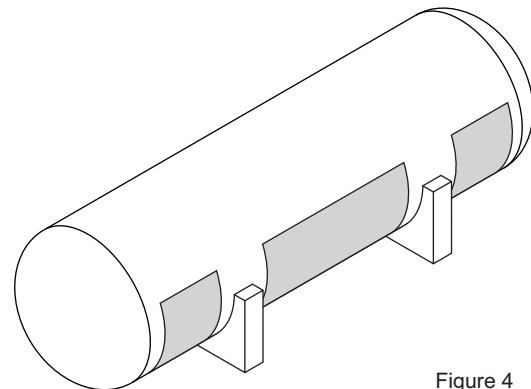


Figure 4

Horizontal Tanks

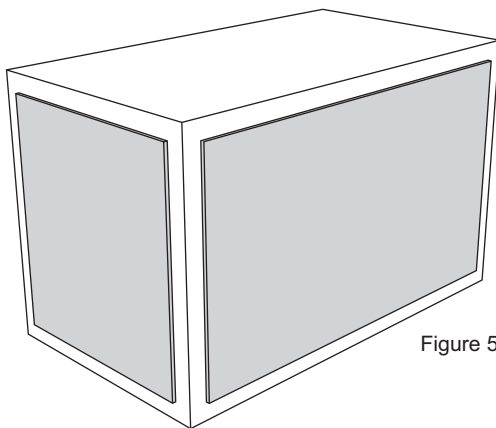


Figure 5

Flat Surfaces  
or Enclosures

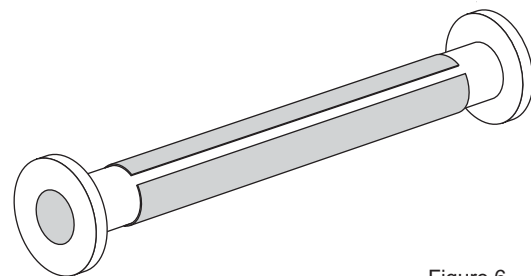


Figure 6

Large Piping or  
Duct Heating